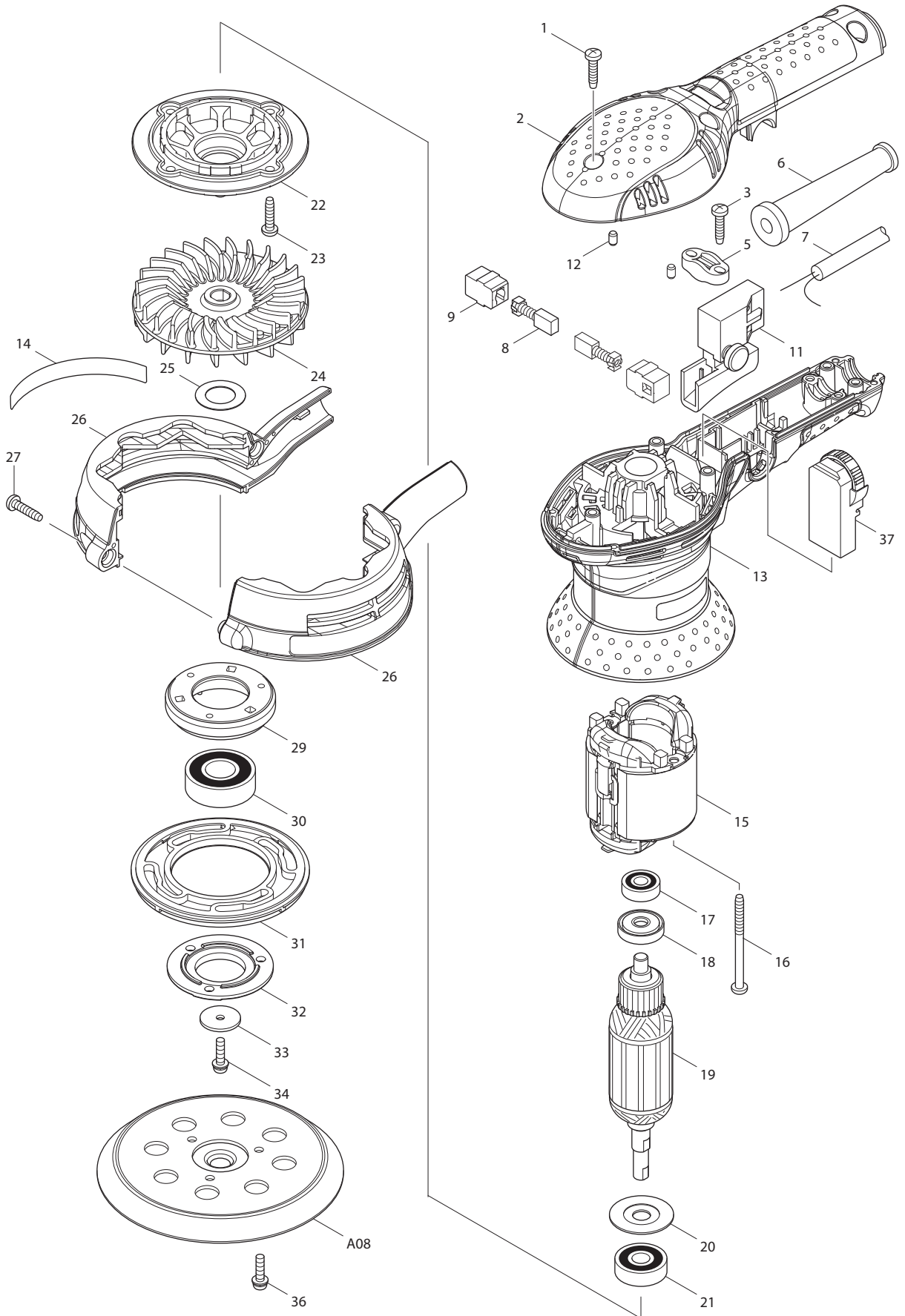




08 - 2010  
BO5041K  
5" RANDOM ORBIT SANDER



## PARTS LIST

Item No	Type	Part No	Description	Qty	Unit
001	2	265A48-7	TAPPING SCREW 4X18	5	PC.
002		451619-2	TOP COVER	1	PC.
003	2	265A48-7	TAPPING SCREW 4X18	2	PC.
005		687063-9	CORD CLAMP (STRAIN RELIEF)	1	PC.
006		682502-4	CORD GUARD 8-85	1	PC.
007		660002-4	CORD W/PLUG 2P-18-2.0M, SJ	1	PC.
008	1	194971-2	CARBON BRUSH CB-75 2PC/SET (W/ ORIGIN)	1	SET
008	2	191956-9	CARBON BRUSH CB-75 2PC/SET (W/ ORIGIN)	1	SET
009		643552-4	BRUSH HOLDER 5-8	2	PC.
011		651286-5	SWITCH SGEL206C-5	1	PC.
012		263002-9	RUBBER PIN 4	2	PC.
013		451617-6	MOTOR HOUSING	1	PC.
014		867887-1	BO5041 NAME PLATE	1	PC.
015		633721-5	FIELD 115V	1	PC.
016	2	266415-3	TAPPING SCREW 4X55	2	PC.
017		210017-7	BALL BEARING 607DDW	1	PC.
018		681652-2	INSULATION WASHER	1	PC.
019		515731-3	ARMATURE ASS'Y 115V	1	PC.
019	INC.		Item No. 17,18,20,21		
020		267806-1	WASHER 9	1	PC.
021		211092-6	BALL BEARING 629DDW	1	PC.
022		450672-5	BRACKET	1	PC.
023	2	265A48-7	TAPPING SCREW 4X18	4	PC.
024		241673-2	FAN 88	1	PC.
025		267164-5	FLAT WASHER 15	1	PC.
026		188877-4	SKIRT SET	1	SET
027	2	265A48-7	TAPPING SCREW 4X18	2	PC.
029		318304-9	BEARING BOX	1	PC.
030		211228-7	BALL BEARING 6202DDW	1	PC.
031		424131-5	BRAKE RING	1	PC.
032		318303-1	BEARING BOX COVER	1	PC.
033		253739-6	FLAT WASHER 4	1	PC.
034		911128-8	PAN HEAD SCREW M4X16	1	PC.
036		911128-8	PAN HEAD SCREW M4X16	3	PC.
037		631955-4	CONTROLLER	1	PC.
100		652008-6	PAN HEAD SCREW M3.5X7(FOR SWITCH)	4	PC.
101		654117-7	INSULATING EYE TERMINAL(FOR CORD/SWITCH)	2	PC.
102		654183-4	INSULATED TERMINAL(FOR FIELD)	4	PC.

Item No	Type	Part No	Description	Qty	Unit
103		654562-6	CLOSED END SPLICE (INSULATED CONNECTOR) (Between Controll	1	PC.
A01		125779-3	FRONT GRIP ASSY	1	PC.
A01	INC.	140440-1	FRONT GRIP BASE COM.	1	PC.
A01	INC.	451622-3	FRONT GRIP	1	PC.
A01	INC.	451623-1	FRONT GRIP COVER	1	PC.
A02		166078-4	DUST BAG	1	PC.
A03		257202-1	RING 25 (USE BETWEEN ITEM 26 AND A05)	1	PC.
A04		416063-0	DUST BAG NOZZLE	1	PC.
A05		416064-8	DUST NOZZLE	1	PC.
A06		794520-1	5" HOOK&LOOP ABRASIVE DISC #120, 5PC/SET	1	PC.
A07		824562-2	PLASTIC CARRYING CASE	1	PC.
A07	2 INC.	416661-0	LATCH	2	PC.
A08		743081-8	PAD 123(HOOK&LOOP)	1	PC.
A09	2	A-34235	HOSE COMPLETE 28-1.5M SET W/FRONT CUFFS 22, 38	1	PC.
A10		P-80024	JOINT 25 (F/DUST COLLECTOR)	1	PC.
A11		794558-6	SPONGE PAD 125 SET	1	PC.
A12		794560-9	WOOL PAD 140 SET	1	PC.
A13		196152-4	FELT PAD SET (Thickness 6mm)	1	PC.
A14		135246-0	DUST BOX ASSY	1	PC.
A15		194746-9	PAPER DUST BAG 5PC/SET	1	SET
A16		195133-5	FILTER DUST BAG 5PC/SET	1	SET
A17		135222-4	DUST BAG ASSY	1	PC.
A17	INC.		Item No. A02-A05		
C01		870987-8	CARTON F/BO5041K	1	PC.